

# BIOTOOL PROFICLAVE PCX



**Easy to use**  
intuitive software



**Sophisticated design**  
simplified handling

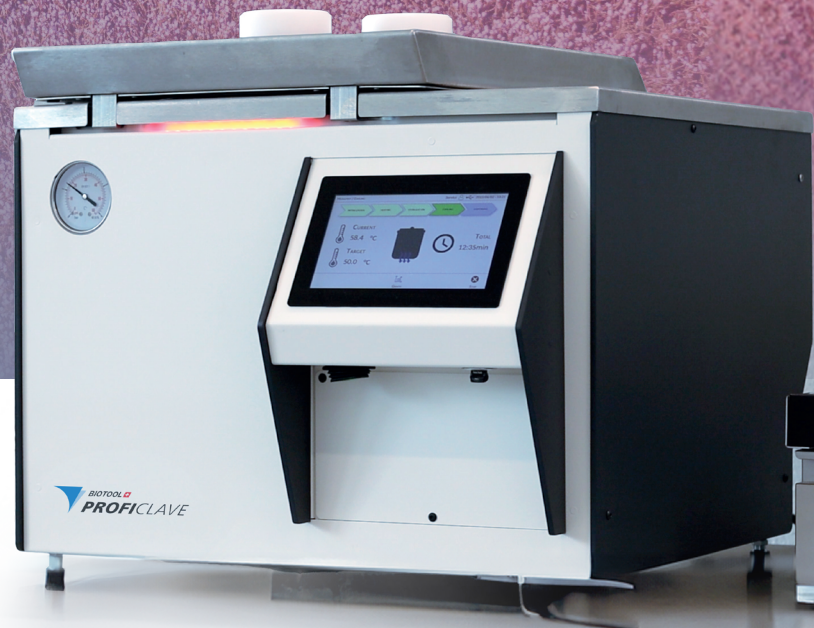


**Time-saving**  
powerful heating & cooling



**Economical**  
less waste – down to the last drop

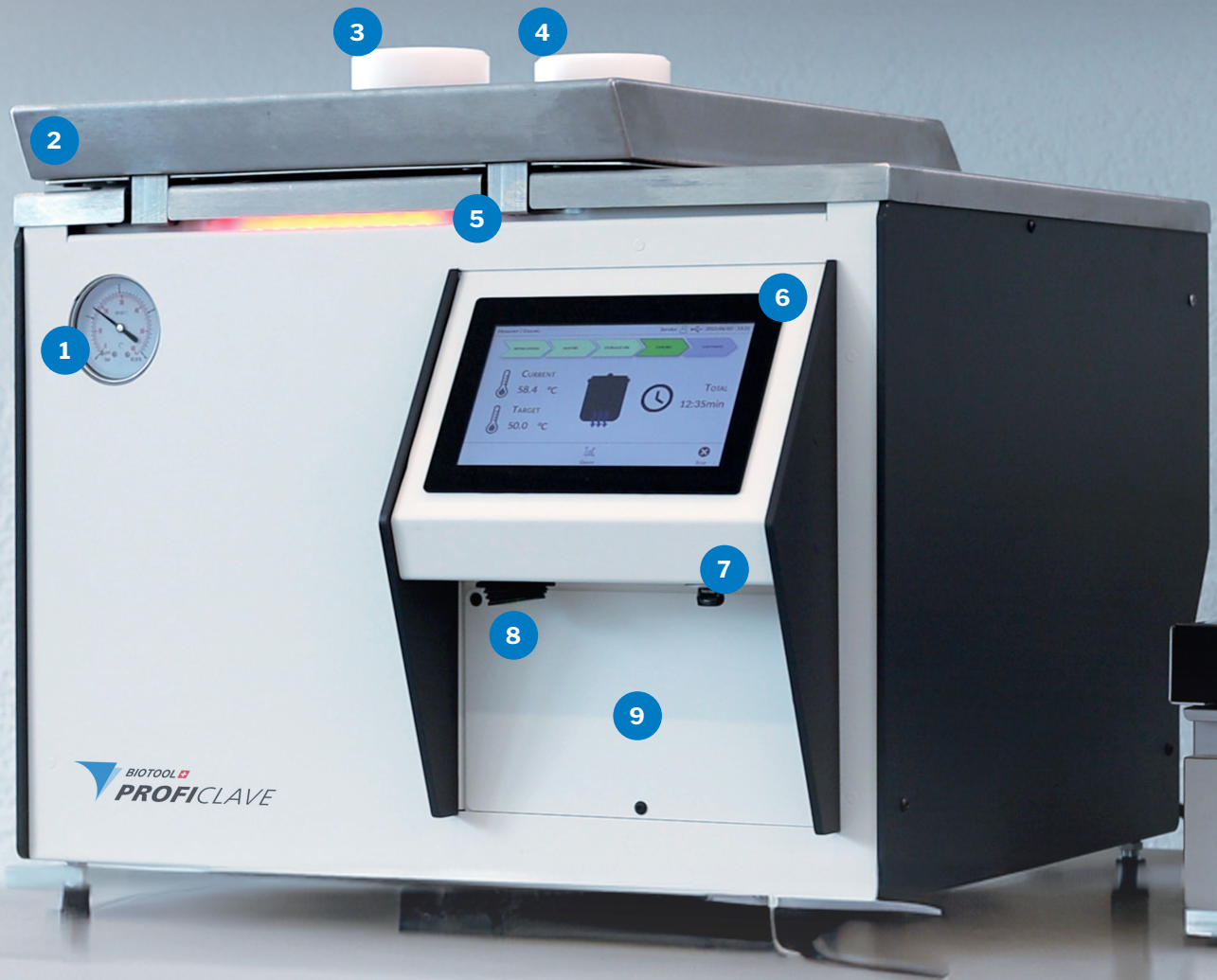
**SIMPLIFYING  
CULTURE MEDIA  
PREPARATION.**



PRODUCT VIDEO,  
SPECS & PDF DOWNLOAD  
[BIOTOOLSWISS.COM](http://BIOTOOLSWISS.COM)



**BIOTOOL**  
**PROFICLAVE PCX**



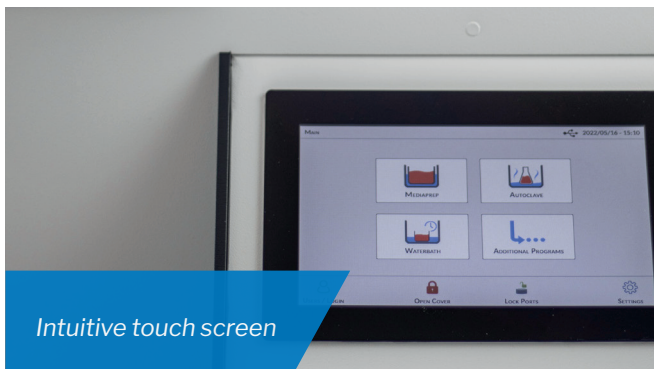
- |                          |                                       |
|--------------------------|---------------------------------------|
| 1 Manometer              | 6 Touch screen display                |
| 2 Insulated device cover | 7 USB data port                       |
| 3 Dispense port          | 8 Main switch                         |
| 4 Adding port            | 9 Module cover<br>(printer / options) |
| 5 Status LED bar         |                                       |



« Our ProfiClave offers a unprecedented space-saving system to simplify and speed up culture media preparation. »



**Josef Nicola Macaluso**  
Founder & CEO



*Intuitive touch screen*



*pressure cover with snap-in safety latch*



*Extra port for additional additives*

## Simplified process handling

Designed for ease-of-use, operation of the PCX is via a large integral screen using a suite of icon-based software that guides you intuitively, with onscreen support, through the culture media preparation process.

**Designed for ease-of-use, the PCX is operated via large touch screen using a suite of icon-based software.** Throughout the culture media preparation process, the user is guided via intuitive on-screen support.

The PCX software guides you logically through the starting procedure. All operating conditions are automatically checked to ensure the culture medium is effectively mixed, heated, sterilized, and quickly cooled to the desired filling temperature right from the start. For the filling process, the medium is kept stable at the selected filling temperature.

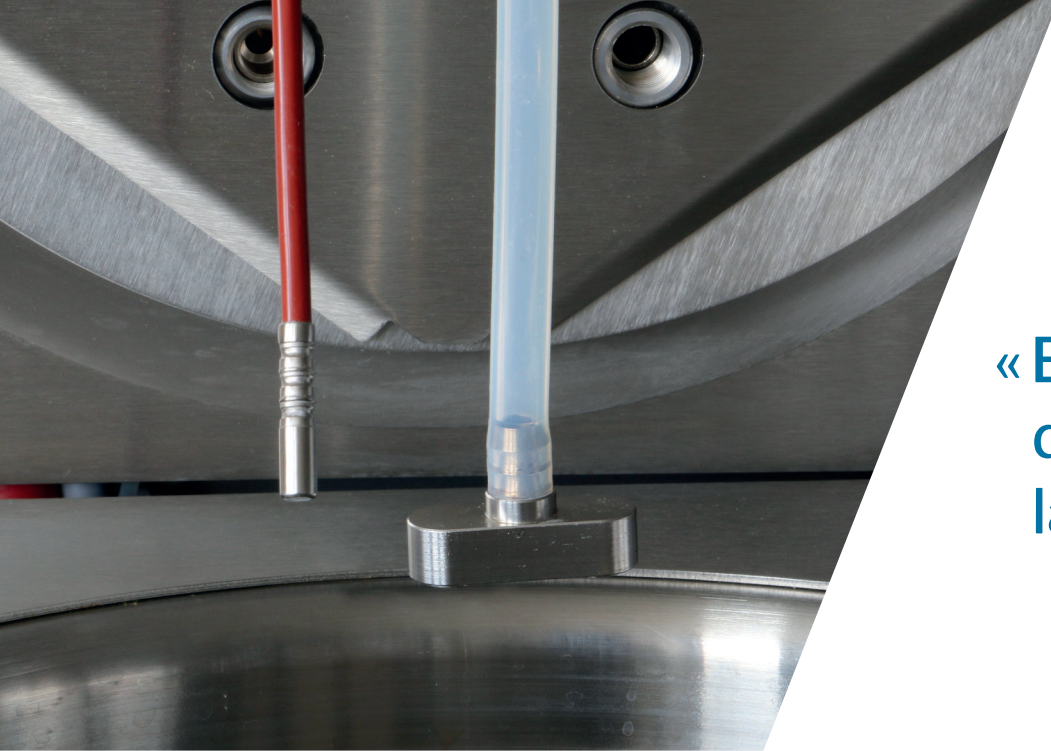
**At the heart of the PCX is new thermal boiler heating technology** that delivers energy-efficient production and an innovative pre-sterilized auto-lock hose connection minimizing connection time to your media filler while maintaining a contamination-free environment.



- 10 Power connector plug
- 11 RS232 interface
- 12 CAN connector
- 13 Ethernet connection
- 14 Electronics cooling fan

- 15 Sterile filter set
- 16 Pressure safety valve
- 17 Drain (air / water / steam)
- 18 Cooling water inlet
- 19 Flow regulator for cooling water





« Economical –  
down to the  
last drop. »

### Increased contamination safety

The PCX unlocks the lid when the filling temperature is reached, and the pre-sterilised auto-lock hose connection only needs to be connected (click closure).

The connection seals itself without screw connection or additional fuse. This innovative pre-sterilised auto-lock hose connection minimises the connection time to your media filler while maintaining a contamination-free environment.

The PCX can also be used to for autoclaving / sterilisation of small objects and liquids in separate containers, or as a heating bath for maintaining temperature conditions in media.

The PCX is designed to be economical down to the last milliliter of your culture media, with the sampling tube automatically centering itself at the lowest point of the cuvette.

« Innovative  
auto-lock »







« The ProfiClave PCX sets new standards for automated sterile culture media preparation. »

## Operator safety was paramount in the design of the PCX.

The pressure vessel closure is automatic and is temperature and pressure dependent. Additional mechanical latches secure the unit even in the de-energized state.

The medium feed and discharge ports are automatically locked against opening when hot or pressurized. Unintentional opening is not possible.

The ProfiClave PCX sets a new standard for simple, sterile automated culture media preparation

and reproducible filling and stacking of Petri dishes with agar.

The ProfiClave PCX is ideal to be connected to all BioTool Petri-Dish Filling Instruments from the PetriSwiss® series, TubeFiller, DosiPump or any other brands of media filler.

When filling agar or buffer in storage bottles, the use of the optional DMX pressure dispensing module from BioTool is recommended.

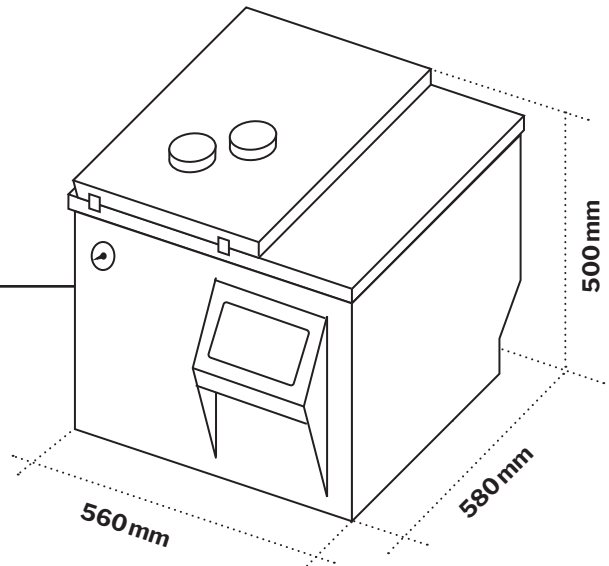




# PROFICLAVE PCX

## DIMENSIONS (H x W x D)

Size	cover closed	50 x 56 x 58 cm
	cover opened	83 x 56 x 58 cm
Weight		64 kg



## TECHNICAL DATA

Harvest volume	up to 15.5l (1000 dishes - 15ml)
Residual Volume	< 0.20l
Process Performance:	
	10l @ 15min/121°C: 60-70 min
Sterilization temperature	80-122°C
Temp. Accuracy	+/- 0.5 °C (resolution: 0.1 °C)
Max. process pressure	1.8 bar
Programs	>100, 4 access levels (password)
Modes (3)	Mediaprep  Autoclave Agar Mel- ting

Quality of stainless-steel	
	Housing: 1.43301
	Media contact: 1.4404
Cooling Water	5 - 30 °C, 0.8 - 5 bar
Coupling water	min. Type III Grade
Water connections	3/4"
Mains	C20 cable connection 16A
Power consumption	max. 3500 W
Operating voltage*	AC 200-240 V ~ 50/60 Hz

\*The power supply voltage tolerance is +/- 10 %

**Caution:** The protective earth (PE) is required for all countries worldwide!

## INCLUDED ITEMS

<b>1000400</b>	PCX Media Preparator	1	<b>1000622</b>	Drain sieve, fine mesh steel	1
<b>1000464</b>	Medium vessel (cuvette)	1	<b>1001729</b>	Auto-centering decanting tube	1
<b>1000512</b>	Magnetic Stirrer	1	<b>1000446</b>	PT 100 temperature sensor	1
<b>1000615</b>	Quick connector for media extraction	1	<b>1001787</b>	Mini USB Data Stick	1
<b>1001791</b>	Auto lock septum port	2	-	Water connection Hoses (cooling & drain)	1
<b>1001714</b>	Sterile quick connector filter set	1	-	Power cord	1



**BioTool AG**

Industrie Neuhof 9  
3422 Kirchberg BE  
Switzerland

[info@biotoolswiss.com](mailto:info@biotoolswiss.com)  
+41 (0)34 423 50 60

